



T&S BRASS AND BRONZE WORKS, INC.

2 Saddleback Cove / P.O. Box 1088
Travelers Rest, SC 29690

Model No.

S-0123-CR-B8TP

Item No.

Travelers Rest, SC: 800-476-4103 • Simi Valley, CA: 800-423-0150 • Fax: 864-834-3518 • www.tsbrass.com

EVERSTEEL

This Space for Architect/Engineer Approval

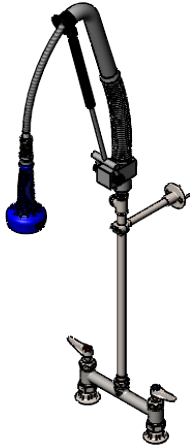
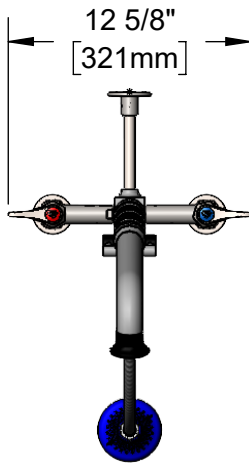
Job Name _____ Date _____

Model Specified _____ Quantity _____

Customer/Wholesaler _____

Contractor _____

Architect/Engineer _____



44" Flexible Stainless Steel
Hose w/ Spring, Air Cylinder,
Swivel & 1.07 GPM Sprayer

Items Not Shown
For Clarity

S-TEE-RGD
Stainless Steel Tee
for Accessory Fittings

Stainless Steel
3/8" NPT x 18" Riser

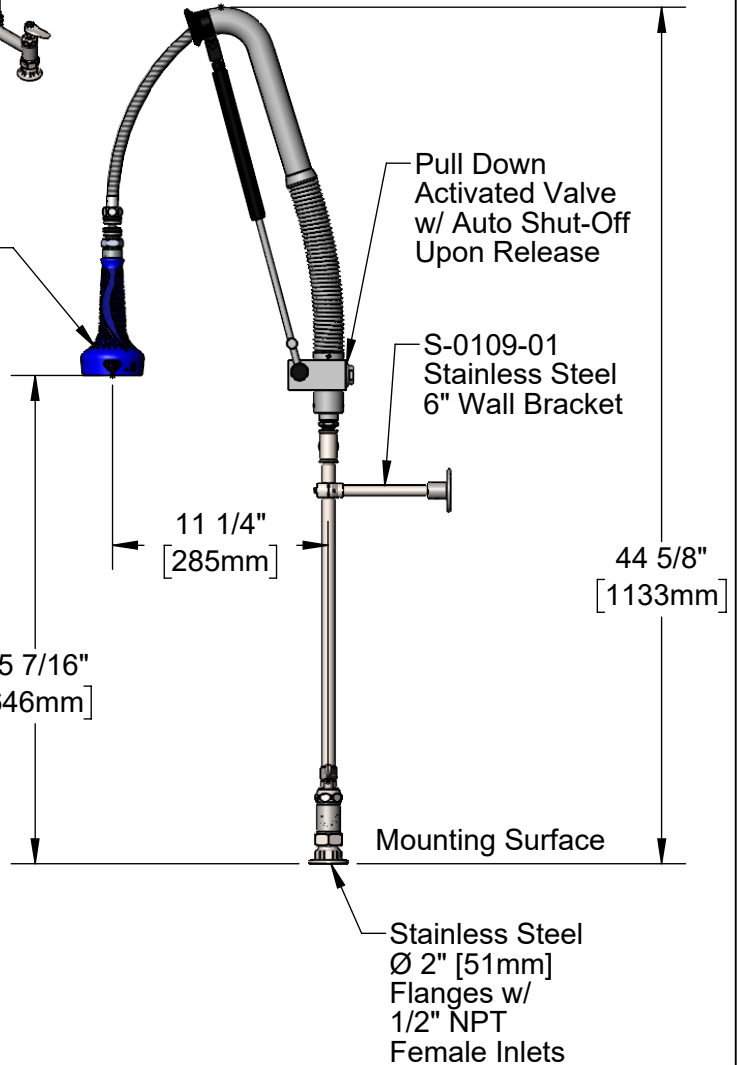
EasyInstall
Lock Nut &
Bushing

Stainless Steel
Quarter-Turn
Cerama Cartridges
w/ Check Valves &
Lever Handles w/
Color Coded Indexes

5 1/8"
[131mm]

8"
[203mm]

Adjustable From
7 3/4" to 8 1/4"
[197mm to 210mm]



Product Specifications:

Stainless Steel Pre-Rinse Unit: EasyInstall 8" Deck Mount Mixing Faucet, Quarter-Turn Cerama Cartridges w/ Check Valves, Lever Handles, 30" Flexible Stainless Steel Hose, 1.07 GPM Sprayer w/ Ball-Joint Swivel, Accessory Fitting, 6" Wall Bracket & 1/2" NPT Female Inlets

Product Compliance:

ASME A112.18.1 / CSA B125.1
NSF 61 - Section 9
NSF 372 (Low Lead Content)
2019 DOE PRSV - Class II



T&S BRASS AND BRONZE WORKS, INC.

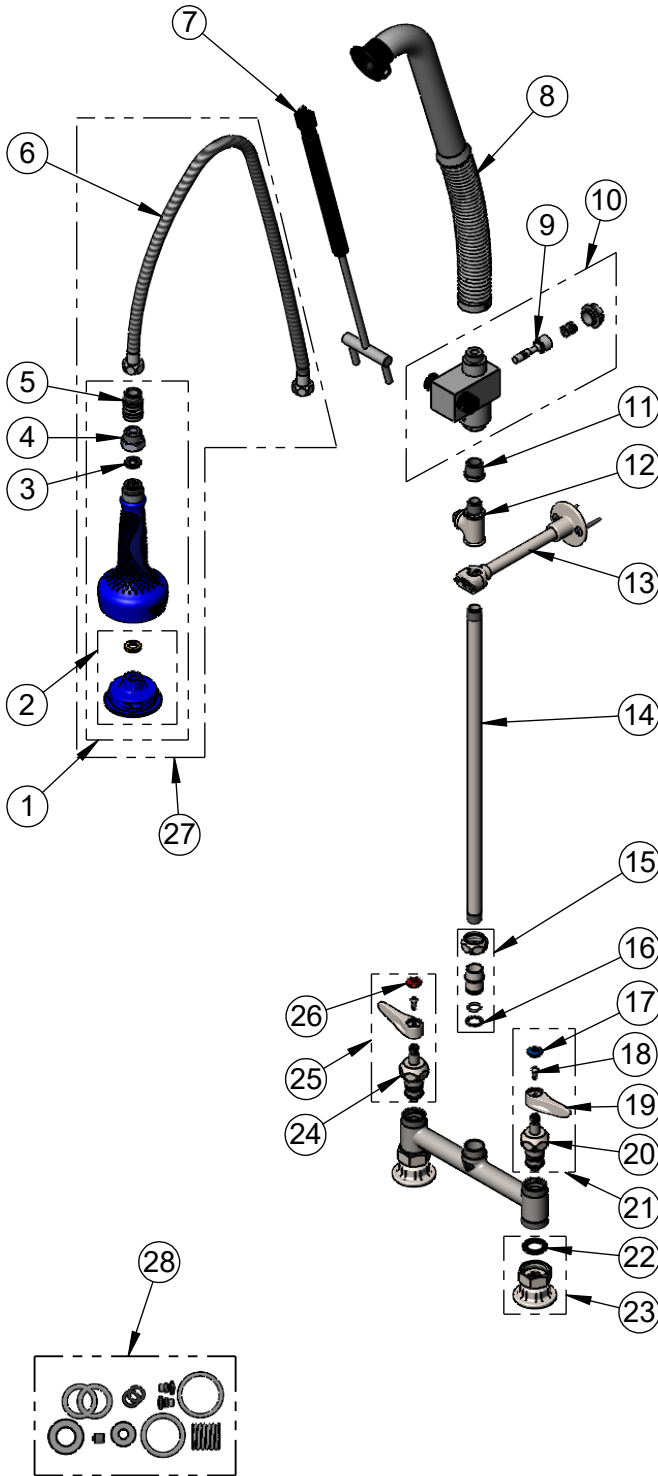
2 Saddleback Cove / P.O. Box 1088
Travelers Rest, SC 29690

Model No.

S-0123-CR-B8TP

Item No.

Travelers Rest, SC: 800-476-4103 • Simi Valley, CA: 800-423-0150 • Fax: 864-834-3518 • www.tsbrass.com



ITEM NO.	SALES NO.	DESCRIPTION
1	S019898-30	Stainless Steel 1.07 GPM Sprayer w/ Swivel
2	108SF-RK	Spray Face Repair Kit
3	001014-45	Washer, Hose Barrel
4	S005221-30	Stainless Steel 7/8 x 1/2" BSPP Adapter
5	021046-45	Stainless Steel Ball-Joint Swivel
6	019901-45	30" Stainless Steel Braided Hose w/ 1/2" NPSM Threads
7	020062-45	Air Cylinder Repair Kit
8	020060-45	Spring & Tube Repair Kit
9	020061-45	Valve Stem Repair Kit
10	020063-45	Valve Body Repair Kit
11	S001359-30	SS Bushing, 1/2 MNPT x 3/8 FNPT
12	S-TEE-RGD	Stainless Steel 3/8" NPT Tee
13	S-0109-01	Stainless Steel 6" Wall Bracket
14	S000372-30	Stainless Steel 3/8" NPT x 24" Riser
15	SEZ-K	Stainless Steel EasyInstall Kit: Nut, Bushing, O-Ring & Lock Washer
16	014200-45	Star Washer, Anti-Rotation
17	018506-19NS	Blue Button Index, Press-in
18	000925-45	Lab Handle Screw
19	S001638-30NS	Stainless Steel Lever Handle (New Style)
20	S012395-30NS	Stainless Steel Quarter-Turn Cerama Cartridge w/ Check Valve, LTC
21	S012447-30NS	Stainless Steel Quarter-Turn Cerama Cartridge w/ Check Valve, Handle, Blue Index & Screw, LTC
22	010569-45	Washer, Inlet Flange Coupling (UK)
23	S00AA	Stainless Steel 1/2" NPT Female Eccentric Flange
24	S012394-30NS	Stainless Steel Quarter-Turn Cerama Cartridge w/ Check Valve, RTC
25	S012446-30NS	Stainless Steel Quarter-Turn Cerama Cartridge w/ Check Valve, Handle, Red Index & Screw, RTC
26	001193-19NS	Red Button Index, Press-in
27	S021047-30	Hose, Sprayer & Swivel
28	020064-45	PRU Control Valve Seal Repair Kit

Product Specifications:

Stainless Steel Pre-Rinse Unit: EasyInstall 8" Deck Mount Mixing Faucet, Quarter-Turn Cerama Cartridges w/ Check Valves, Lever Handles, 30" Flexible Stainless Steel Hose, 1.07 GPM Sprayer w/ Ball-Joint Swivel, Accessory Fitting, 6" Wall Bracket & 1/2" NPT Female Inlets

Product Compliance:

ASME A112.18.1 / CSA B125.1
NSF 61 - Section 9
NSF 372 (Low Lead Content)
2019 DOE PRSV - Class II